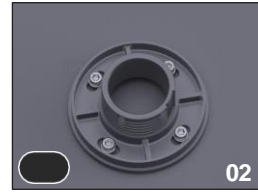




Installation steps



01 Drill 4 holes in on the surface according to the size as base dimension shows.



02 Take off the base from the pillar and install it to the surface with 4 screws according to the required lighting direction. (very important step)



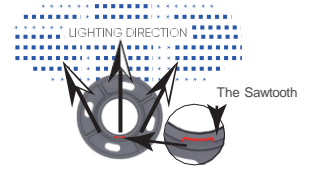
03 Screw the light head to the pillar properly. (if the light head is separately packed .)



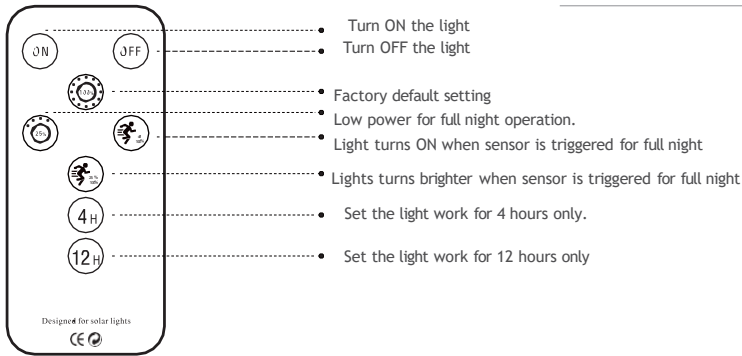
04 Use the small screw driver to tighten the screw inside of light head to lock it tightly.



05 Screw the light body to the base properly and tighten the small screw at the bottom of the pillar to avoid the losing of light body.

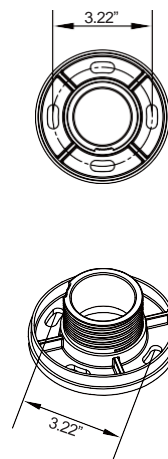
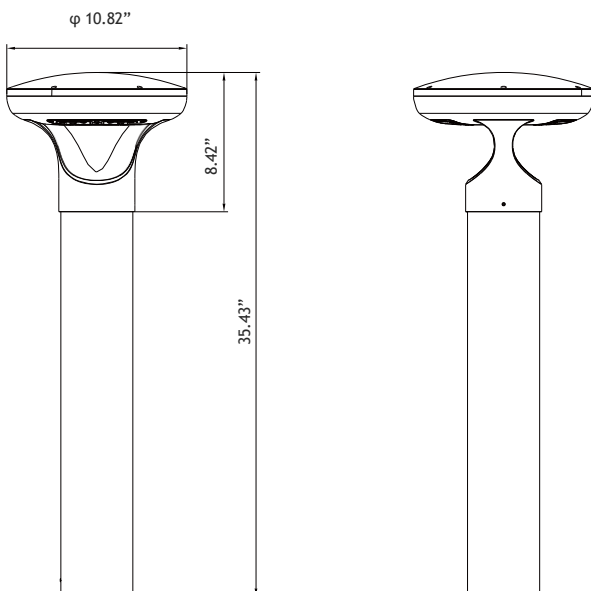


The installation direction of the base directly determines the direction of the lighting. The light will shine in the direction opposite to the sawtooth



Regular Trouble Shot

Problem	Reason	How to solve
Light is off	Switch is off	Turn on the on/off switch of light
	No direct sunshine	Move the light to the direct sunny area
	Continuous cloudy or rainy days	Light will back to work when sun returns
	There is debris on solar panel	Clean the solar panel
Short working time	Location problem	Move the light to the area with direct sunshine
	Continuous cloudy or rainy days	Light will be recharged when sun returns
	Battery life is expired	Replace with a new battery



Accessories



Expansion Screw : 4 pieces
To tighten the base to ground. It is M6*60



Allen Wrench : 1 piece
Used for tightening screws