



The SolarPath HIGHLIGHT SP-SODL™ is the premier LED solar illumination technology in its class today. Ultra-bright/High Intensity LED lighting means a total lighting solution for any need. The solar panel is wrapped and can be installed on a new or an existing pole. It is new technology. This product has both a solar engine and a LED light. The battery and controller are inside pole which allow this product to be used for, roads, parking lot, pathway, etc. The lighting fixture can be used up to 60W and can be controlled via remote control.

Technical Specifications

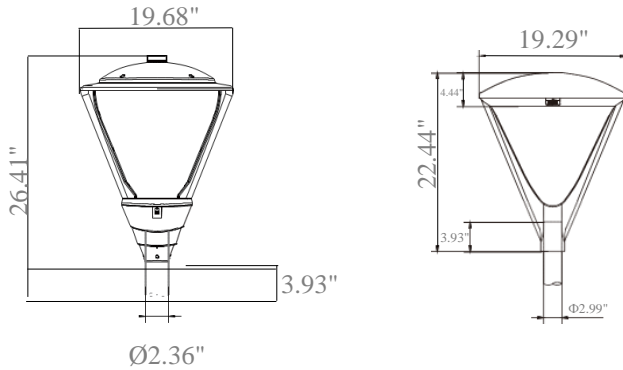
Solar Module Parameters	Type	High-efficiency Monocrystalline Silicon
	Power	Up to 540W
Solar Charge Controller Parameters	Type	MPPT (Maximum Power Point Tracking), infrared solar charging controller
	Battery	LifePO4
LED Light Parameters	Light Source Power	Up to 60W (Up to 7,680 lm)
	CCT (Correlated Color Temperature)	3,000K-6,000K/ Amber
	Color Rendering Index (CRI)	≥81
Control Modes	Manual ON/OFF / Automatically ON/OFF / Time Control	
Operation mode	Depend on installation area, can be programed with remote control,	
IP Rating	IP67	
Product size	light body	Depend On LED power
	solar panel	Depend On Solar Panel wattage
Net weight	light body	Depend On LED power
	solar panel	Depend On Solar Panel Wattage

Key features

- Can be installed on existing pole.
- Low installation and maintenance costs.
- Folding solar panel.
- IP 66 Rating.
- Solar powered outdoor lighting.
- Battery, solar controller are built inside of pole.
- Good appearance, small size and lightweight, easy to install.
- Rust-proof, dustproof and waterproof.
- Energy saving 100% generated from solar less power consumption than traditional.

Uses and Applications Guide

Streets lighting	●
Parking lots	●



Ordering Guide

EXAMPLE: HIGHLIGHT SP-SODL -A-140W-A-30W-2-30K-24AH-BLK-00

Model	Solar Panel Quantity	Solar Panel	LED Head	Led Power	Distribution Type	Led Color Temp.	Battery options	LED Body Color	Motion sensor
HIGHLIGHT SP-SODL	A - 1	100W	A -	20W	2- Type II	30K	12AH	BLK- Black	00 - no motion sensor
	B - 2	120W		30W					
	C - 3	150W		40W	4- Type IV	60K	24AH		
		180W	B -	50W	5 - Type V	Amber	30AH		
				60W			36AH		
							42AH		
							48AH		
							54AH		



*Up on request

Legal Clarification: All technical information and/or products listings and/or technical support, and/or any kind of graphics, illustrations and/or instructions and/or the names, trade names, trademarks, trade symbols, service marks, logos, icons and trade dress of SolarPath Inc or in connection to SolarPath Inc or any of its selling products, contained herein is in the exclusive ownership of SolarPath Inc and may not be alternated and/or used in any manner including but not limited to copy of some or all of the said material by users and/or viewers or any third party for that matter of downloadable documents and the website to which it is linked without the express prior written permission of SolarPath Inc. Furthermore, redistribution or any kind of commercial use or alteration or any kind of use other than downloading presented information in some or all contents of downloadable documents, and/or downloadable contents, is strictly prohibited without express written prior permission. All information set out herein is subject to changes as may occur from time to time. SolarPath Inc is not responsible for, and cannot guarantee and shall not be held liable for any information or the accuracy of such in websites that it does not manage

