

SOLAR BOLLARD 2SPBL13



Installation instructions

PLEASE READ THE INSTRUCTIONS AND TEST THE FUNCTION OF THE FIXTURE BEFORE INSTALLATION TO ENSURE OPTIMAL RESULTS AND LONGEVITY OF THE FIXTURE. BEFORE FIRST TIME USE, SOLAR PANELS SHOULD BE FULL CHARGED UNDER SUNLIGHT FOR 6-8 HOURS FOR BEST PRESENTATION.

FUNCTIONAL SETTING FOR FIXTURE:

1. ON/OFF button: Press for 3-5 seconds to activate fitting. To change modes, short press ON/OFF button when fitting is switched on. Fitting will flash to confirm working mode set.
2. CCT button: Press to select color temperature.

DEFAULT 4 WORKING MODES :

(Short press ON/OFF button when fitting is on to change modes)

Mode 1 (1 flash): 6h @100%, then off

Mode 2 (2 flashes): 6h @100%, then @25%

Mode 3 (3 flashes): 4h @100%, 4h @40%, then off

Mode 4 (4 flashes): Dusk to Dawn at 50%

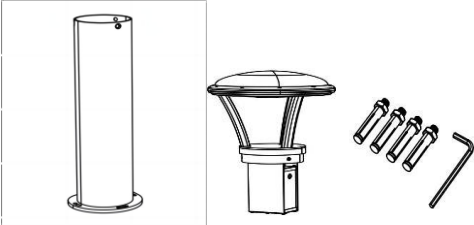
Installation Steps

STEP 1: Check the Package Components

Verify that you have received the following:

4 M10 bolts and 1 M8 wrench.

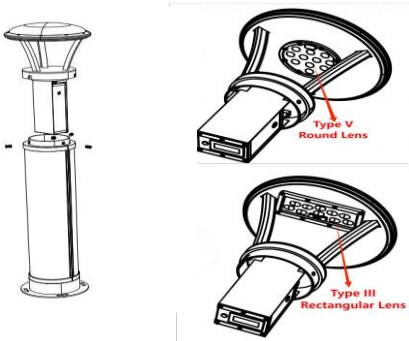
1 pole and 1 lamp head.



STEP 3: Fix the light head on the post

Use the screws to secure the lamp head in place.

For the rectangular lens, ensure the direction of light to face the road when installing the fixture (no special requirements for the round lens).



STEP 2: Turn on the light

Press and hold the On/Off switch for 3-5 seconds to the light turns on.

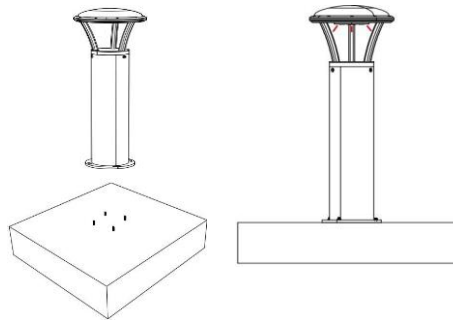
Note: Once the switch is turned on, the lamps automatically light up at dusk and the solar panels absorb sunlight to recharge during the day.

Press the CCT button to set the desired color temperature according to your needs.



STEP 4: Install the Light Fixture

After the lamp assembly is complete, use screws to mount the light fixture in the desired location for illumination.



Safety and Precautions:

1. Test the unit by covering the solar panel fully during daylight hours. The light should operate automatically. With the unit still turned ON, remove the cover exposing the solar panel to UV light. The light should turn OFF automatically.
2. In order to maintain the activity of the battery and the performance of the product, please put the product stock 3-6 months to outdoor for charging.
3. To make sure the product works properly, please connect the solar panel connector correctly. And be careful not to bump or knock the external solar panel during the whole installation process.
4. If you encounter any problems during the installation process, please communicate with our technicians before repairing, otherwise the merchant will not take any responsibility.